

1

2

3

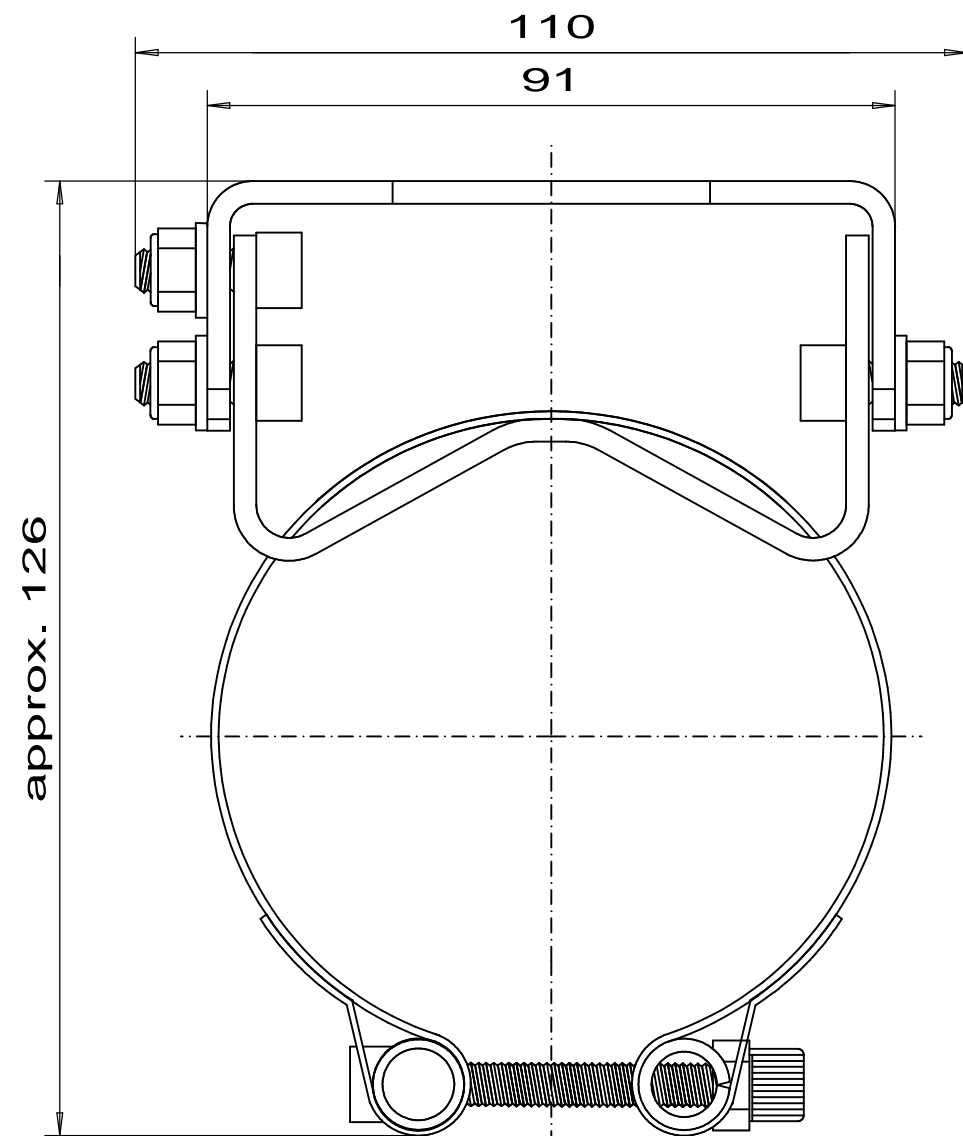
4

5

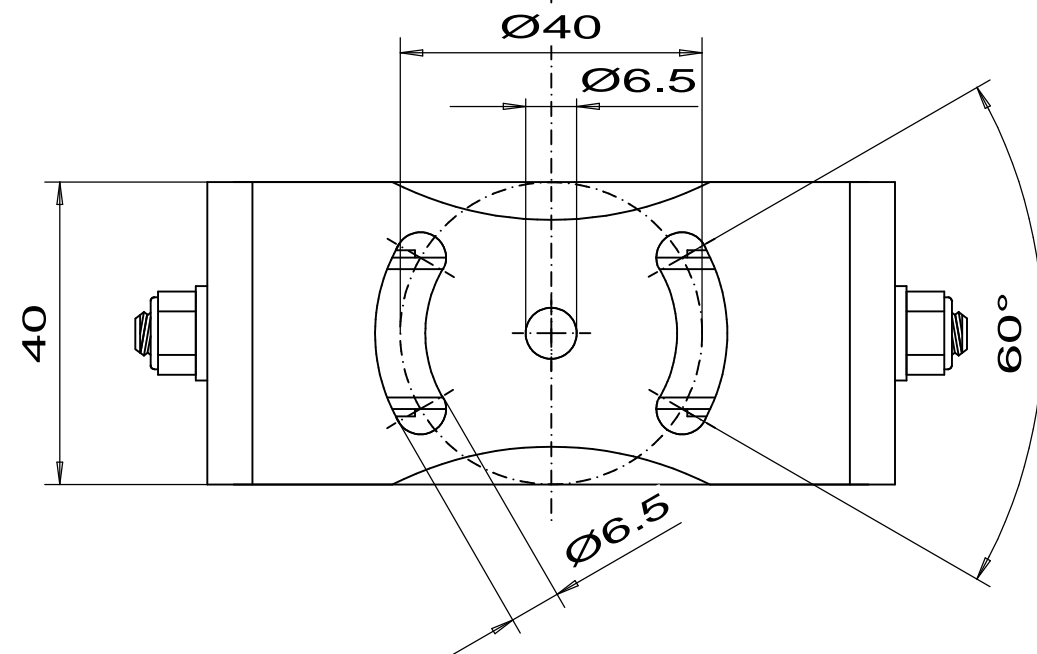
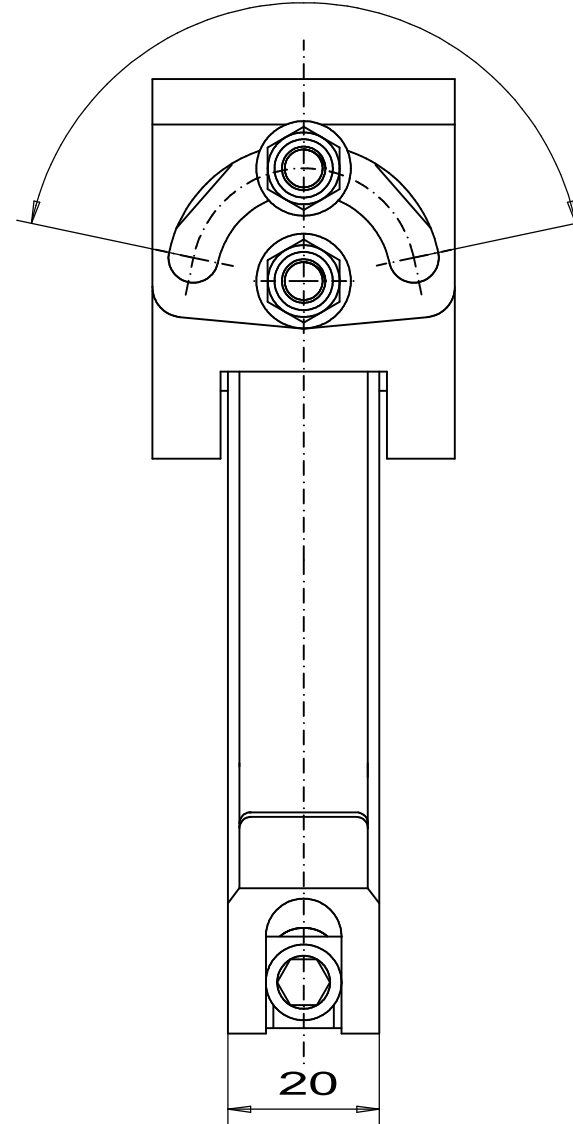
6

7

8



Swivelling range 156°



Material swivel mounting: zinc plated steel
Material mounting clamp: stainless steel

Rev. Index	Revision	Date	Changed by:	Scale	Norm	Responsible dept. Development	Technical reference U.Mathias	Document type View plan	Document status Released	Lang. en/en
Rev. Index	Revision	Date	Changed by:	Project, Project part		EGON HARIG FIRE ALARM SYSTEMS Gewerbering 4 22113 Oststeinbek	Created by: W.Heer	Title, Supplementary title Swivelling Mounting Clamp	Identification No. 3.12207-1	
Rev. Index	Revision	Date	Changed by:				Approved by: K.Bolzmann	Type: SBS 100/200/300/500	Rev.	Date of issue
1	Type designation	2024-06-11	U.Mathias					1	2012-07-25	1/1

Refer to protection notice ISO 16016.

A
B
C
D
E
F